



File Name: buffalo filter service manual.pdf
Size: 3817 KB
Type: PDF, ePub, eBook
Category: Book
Uploaded: 30 May 2019, 15:17 PM
Rating: 4.6/5 from 728 votes.

Status: AVAILABLE

Last checked: 2 Minutes ago!

In order to read or download buffalo filter service manual ebook, you need to create a FREE account.

[**Download Now!**](#)

eBook includes PDF, ePub and Kindle version

[Register a free 1 month Trial Account.](#)

[Download as many books as you like \(Personal use\)](#)

[Cancel the membership at any time if not satisfied.](#)

[Join Over 80000 Happy Readers](#)

Book Descriptions:

We have made it easy for you to find a PDF Ebooks without any digging. And by having access to our ebooks online or by storing it on your computer, you have convenient answers with buffalo filter service manual . To get started finding buffalo filter service manual , you are right to find our website which has a comprehensive collection of manuals listed.

Our library is the biggest of these that have literally hundreds of thousands of different products represented.



Book Descriptions:

buffalo filter service manual



CONMED's Buffalo Filter Smoke Evacuation solutions are designed to remove 99.999% of the particulates 1,2 in surgical smoke, so you can breathe cleaner air in your OR environment. With the most comprehensive Smoke Management portfolio on the market, CONMED is here to partner with your facility by providing the education, clinical support, and product solutions you need for a healthier and smokefree clinical environment. With our full line of industryleading Buffalo Filter surgical smoke management products, CONMED is leading the way for a Healthier OR. Pleased to Provide Continuing Education We are happy to provide live and online Continuing Education courses for healthcare professionals who may be exposed to surgical smoke plume. We Can Help! Learn more about the dangers of surgical smoke and how CONMED is Clearing the Air. Submit. All Rights Reserved. Ir J Med Sci. 2007; 1763229232. We are proud to announce that Buffalo Filter is now part of the CONMED family. With the most comprehensive Smoke Management portfolio on the market, CONMED is ready to provide the education, products, and clinical support you need for a healthier and smokefree clinical environment. Striving for a SmokeFree OR.Eliminating % of a Bad Thing, Is a Good Thing. All or any part of this information may not be disclosed under any circumstances to any other company or other party without the express written consent of Buffalo Filter LLC. Audience This services manual is strictly for the use by a Buffalo Filter LLC trained technician.The filter should not be used for more than the filter life specified. Failure to change the filter may result in decreased efficiency and possible internal contamination. CISPR International Special Committee on Radio Interference Electromagnetic Compatibility. Cleaning Disconnect the power from the ViroVac Surgical Smoke Evacuator before attempting to. Evacuator is on Filter is clogged. Replace the filter with a new filter from the but suction is manufacturer.http://faguaflores.com/images/admin/dds_ga_gov-drivers-manual.xml

- **buffalo filter service manual, buffalo filter virovac service manual, buffalo filter**

visiclear service manual, buffalo filter vv120 service manual, buffalo filter smoke evacuator service manual, buffalo filter service manual pdf, buffalo filter service manual download, buffalo filter service manual free, buffalo filter service manuals, buffalo filter whisper turbo service manual.

During an open procedure in which a smoke plume evacuation hose will be utilized, please select the Open Tubing Button. When using either an attachment to your electro-surgical pencil or an integrated smoke plume evacuation pencil such as Buffalo Filter's PlumePen™, please select the Electro-surgical/Diathermy Mode Button. Finally, when attaching to a surgical cannula during laparoscopic procedures, please select the Laparoscopic Button.

At any point, when you would like to return to the previous menu on the VisiClear™ touch screen, use the Back Button to return to the previous screen. See Figure 2.



Figure 2.

SUCTION ON & STANDBY

Once the mode is selected on the touch screen interface (See Figure 1), the mode you have selected will appear on the left side of the touch screen. You can activate or deactivate the flow of suction by pressing the button that appears like a fan blade on the unit's touch screen. The fan image will begin to rotate to indicate that the unit's motor is running and the flow of suction has begun. See Figure 3.



Figure 3.

SUCTION CONTROL

The amount of suction may be adjusted by pressing the suction control buttons located to the right of the fan image. Each time the suction control up or down button is depressed, the motor speed is increased or decreased by 10%. The suction speed will not loop. The suction control should be set at the lowest practical setting to completely remove the surgical smoke from the operative site. See Figure 4.

Disconnect the power. Remove the fascia and the functioning on body. Check if one of the two fuses on the circuit control panel. To check or replace fuses, see the fascia disassembly instructions and body disassembly instructions on pages 74 and 75, respectively. Wear a grounding strap when handling electrostaticsensitive components, except when working on an energized ViroVac Surgical Smoke Evacuator. Taking care not to damage the connected wire harnesses. Press downward towards the top of the motor and inward to properly install the two 2 grey motor wires. This is a sealed unit. Buffalo Filter LLC will repair or replace at Buffalo Filter LLC option the same without charge, provided that routine maintenance as specified in this manual has been performed using replacement parts approved by Buffalo Filter LLC. This warranty is void if the product is used in a manner or for purposes other than intended. You hereby consent to our cookies if you continue to use our website. More information on our Cookie Policy, Privacy Policy and Terms of Service. Buffalo, New York USA 14228 Division of Medtek Devices, Inc. BUFFALO FILTER will repair or replace FILTER. This warranty is void if the product is used in a manner or for purposes other than Buffalo, New York USA 14228 Division of Medtek Devices, Inc. Customer Service 8003432324 U.S. Only The revision level of this manual is specified by the highest revision letter found on either the Manual Number 901837 Operation is subject to the following two Section Title Page Figure Title Page System Description. Section 1.0 The ultraquiet motor is used to draw the surgical smoke from the A single disposable filter is used to simplify the installation and The filter is completely enclosed to protect the healthcare personnel from potential contamination during filter changes. <http://cjsayles.com/~cjsayles/images/ddts-100-decoder-manual.xml>

VisiClear™

Surgical Smoke Plume Evacuator

Operator's Manual

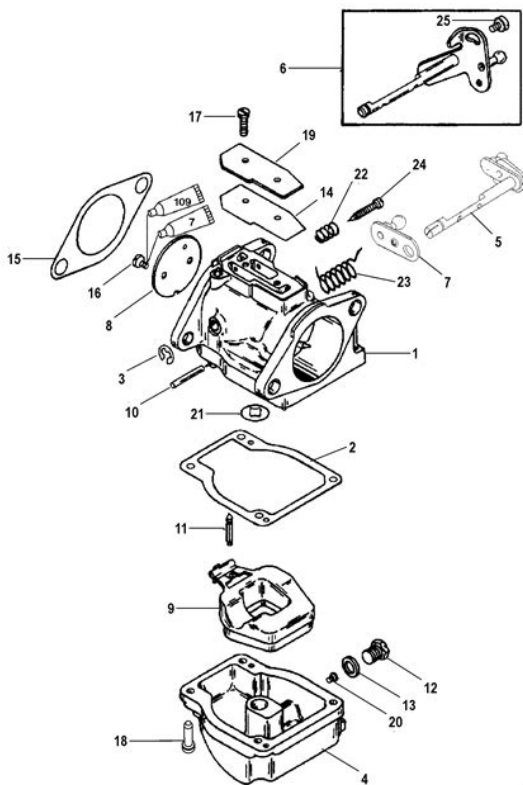


© 2014 BUFFALO FILTER®
5900 Genesee Street
Lancaster, New York 14086, USA
(716) 835-7000 or (716) 835-3414 fax
www.buffalofilter.com
Customer Service: 800-343-2324 (U.S. Only)
1-716-835-7000 (International)

One Buffalo Filter ViroSafe filter contains The first stage filtration is a prefilter whose function is to trap and remove gross particulate and The second stage filtration is ULPA grade Ultra Low Penetration Air filter whose hightech The third stage filtration uses the highest grade virgin activated carbon, especially designed for. Buffalo Filter for the removal and adsorption of odors and toxic gases produced by burning tissues. These harmful gases may constitute a health hazard to healthcare professionals who are Systems preferentially removes toxic organic gases rather than water vapor and provides optimal The fourth stage filtration is an expanded foam used to trap activated carbon fines from migrating Please refer to Section 2.0 for. Operating Instructions. If damage is evident, please contact BUFFALO FILTER Customer Service at 18003432324 US. Only or 716 8357000 International Standard Accessories. Please contact BUFFALO FILTER Customer Service to purchase the following accessories The operational information contained in this section is intended for the customer review of Clause 5.4. Unplug Unit. Wipe unit with a damp cloth containing mild disinfectant solution Do not steam sterilize. These limits are designed to provide reasonable Operation of this equipment in a residential area is RX modulation Pulsewidth coded, AM 100% modulation. TX Frequencies Manchester encoded. Low bit transition A to B. High bit transition B to A Please note that all Cautions and Warnings should be read and understood before any use of this Attention, consult Accompanying Documents Manual Adjust the airflow and the position of the Check the airflow setting before activating the smoke evacuator to prevent patient injury and to prevent suction of surgical materials and surgical Please dispose of according to your local codes or regulations and hospital policy. These filters This equipment may cause It may be necessary to.

FALO FILTER as replacement parts for internal components, may result in increased emissions The warranty on this product is void if any of these warnings are disregarded. If fluid is expected to be aspirated to the. ViroSafe Filter, fluid collection devices must be installed with the vacuum hose assembly. Failure to install a fluid collection device could cause filter blockage and electrical damage. The ViroSafe Filter, Failure to change the filter may result in decreased efficiency and An occlusion or significant restric Use only with the power cord provided and always plug into a grounded outlet. Section 2.0 See Figure 1. Note Please be sure to read all instructions before installing accessories or operating this equipment. The suction ON Once power has been LED. Turn

the system main power off by unplugging the power cord from the appliance inlet onThe amount of suction may be adjusted by pressing the suction control button. Each time the suction control button is depressed, the motor speed in increased. Once the suction has reached theThe suction control should be set at the lowest practical setting to completely remove the surgical smokeA footswitch or a Remote Switch activator may be added to any system by simply plugging in a. BUFFALO FILTER activation accessory into the appropriate jack on the front of the unit. WhenFor directions on using the Remote Switch Activator, please see instructions that accompany that product.The filter life indicator on the membrane control panel provides a visual indication of the status ofAll filter life timing is automatic. Reading the Filter Life Indicator. Install an unused ViroSafe Filter into the system per the installation instructions contained inWhen the system is turned on, the filter life indicator with light up theThe indicator will progress thru subsequent.



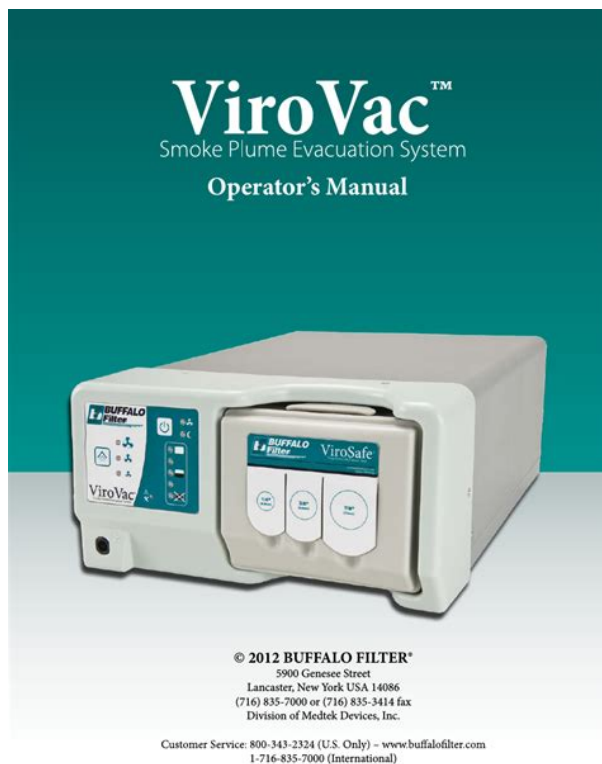
4283

<http://eco-region31.ru/02-lancer-repair-manual>

GREEN LEDs, to an AMBER LED as time elapses and begin flashing RED to indicate that theWhen the maximum filter life is consumed and the smoke evacuator is not powered off forIt electrically protects both the system and the operator from damageWhen the Service light illuminates, please contact BUFFALO FILTER Customer Service forNote Before installing or removing any filter, be sure that the system is turned off. Filter Installation Instructions. Systems is quick and simple.Examine all filters for damage during shipping and storage. Do not install any filter with visibleBe sure that the filter is seated completelyWARNING This device is not intended for evacuation of fluid. If fluid is expected to beFailure to install a fluid collection. Filter Removal InstructionsThe ViroSafe Filter may be disposed of or incinerated.Follow the indicated instructionsCAUTION Using any other filter or accessory not supplied by BUFFALO FILTER may cause. WARNING The ViroSafe Filter should be changed when the Filter Life Indicator shows redFailure to change this filter may result in decreased efficiency andPlug the pronged powerRoute power cord in such a way as to minimize potential trip hazard by users or patients or pinch hazard that could cause electric shock.Route footswitch or RSA cord in such a way as to minimize

saved, saved, saved, saved. Doc Change Count 1643. Producer Adobe PDF Library 9.9.

<https://academyocgc.com/images/bose-model-5-service-manual.pdf>



Trapped False. Page Count 26. Creator Adobe InDesign CS5 7.0. Sign in Forgot Password. My Bench Close Sign In Not A Member. Sign Up Join MedWrench OK name type Receive Summary Emails. Buffalo Filter ViroVac by Buffalo Filter Download PDF Product Details Forums Documents Videos News Request a quote Request Parts Add to My Bench This site uses cookies. By continuing to browse the site you are agreeing to our use of cookies. Please review our Privacy Policy for more details. All Rights Reserved. Designed for small offices and clinics. It is light enough to easily move from room to room or be placed on a table. FORUMS View All 1 Ask a New Question 1 Reply Duff Burkes a year ago a year ago manual needed service and op manualH20 mbar 91.5 227 Weight 18.1 lbs 8.2 kg Certifications UL, cUL, CE This site uses cookies. The ViroVac Smoke Evacuation Systems have been designed with a high suction, high flow rate vacuum motor. Page 5 In addition, please compare the accessories you receive with the standard accessories list below. If an item is missing, please notify BUFFALO FILTER Customer Service. Page 7 the operating instructions. Otherwise, patient injury may result. Failure to follow the procedures outlined in this manual may result in overheating of the motor and may void the unit warranty. Refer service to qualified service personnel. Use only with the power cord provided and always plug into a grounded outlet. Plug the pronged power cord into an appropriate grounded power outlet. While the system has been designed and manufactured to high industry standards, it is recommended that periodic inspection and performance testing be performed by a qualified Biomedical Technician to ensure continued safe and effective operation. 3.2 Cleaning Unplug Unit. Buffalo Filter warrants that the filter system manufactured by Buffalo Filter shall be free from defects in material and workmanship.

Page 25 ENTIRE AGREEMENT Purchaser by acceptance of Buffalo Filter's offer does acknowledge and agree to the terms and conditions contained herein. All matters involving the validity, interpretation and application of this agreement shall be controlled by the laws of New York State. Using any filter not manufactured by Buffalo Filter may cause damage to the systems and will be

cause for voiding the warranty. The filter life indicator for the PlumeSafe Smoke Evacuation System All filter life timing and reset is automatic. The indicator will progress thru subsequent When the maximum filter life is consumed and the To restart th e system replace the fuses within the power entry. Please check your inbox, and if you can't find it, check your spam folder to make sure it didnt end up there. Please also check your spam folder. Contact Us to Register Your Interest Already a member. BUFFALO FILTER will repair or replace at Buffalo Filter's option the same without charge, provided that routine maintenance as specified in this manual has been performed using replacement parts approved by BUFFALO FILTER. Customer Service 8003432324 U.S. Only 716 8357000 The revision level of this manual is specified by the highest revision letter found on either the inside front cover or enclosed errata pages if any. Manual Number PSWTAS Ver. The PlumeSafe TURBO AutoSense Smoke Evacuation System has been designed with a high suction, high flow rate centrifugal action pump. Built into a single housing, this disposable filter is used to simplify the installation and removal during filter changes. The filter is completely enclosed to protect the healthcare personnel from potential contamination during filter changes and is totally filter life automated via RFID technology. 2.0 Inspection The BUFFALO FILTER PlumeSafe TURBOAS Smoke Evacuation System has been thoroughly tested and inspected before shipment from the factory.

<http://yuseigachi.nl/wp-content/plugins/formcraft/file-upload/server/content/files/1626c55aae1bde---c ompex-mrl21e-manual.pdf>

Please check the unit before setup to insure that no damage has occurred in transit. This smoke evacuation system should only be operated by personnel who have been properly trained in its operation. Warnings ! The Buffalo Filter ViroSafe Filters are completely disposable. Please handle these disposable filters according to your local codes, regulations, and institution policy. ! This device is not intended for evacuation of fluid. If fluid is expected to be aspirated to the ViroSafe Filter, fluid collection devices must be installed with the vacuum hose assembly. Failure to install a fluid collection device could cause filter blockage and electrical damage. ! DO NOT OPERATE THIS DEVICE IN THE PRESENCE OF EXPLOSIVE GASES. Failure to follow the procedures outlined in this manual may result in over heating of the motor and may void the unit warranty. 5.0 Operating Instructions The Turbo AutoSense LCD control display is userfriendly and completely interactive, allowing for easy to understand use as displayed on the LCD screen. This switch completely enables and disables the main power. When the unit is powered on the following LCD screen will appear. BUFFALO FILTER INSERT VIROSAFE FILTER After inserting a filter a screen will flash for a few seconds to indicate filter type and original life. BUFFALO FILTER VIROSAFEXLL 18 HOUR FILTER Next, the standard screen will appear which displays information regarding the unit's current activity. This button turns the motor for suction on and off. SUCTION CONTROL The amount of suction may be adjusted using the UP or DOWN arrow buttons located on the key pad Figure 1. Suction may be adjusted up or down by 10% increments. It is recommended that you select the lowest suction setting that effectively clears the operative field of surgical smoke. TURBO MODE The TURBO button is located on the key pad Figure 1. The amount of suction is significantly increased when this button is pressed.

To return to NORMAL mode, press the TURBO button again. FILTER LIFE REMAINING The exact number of hours and minutes remaining on the ViroSafe filter in use are displayed on the LCD screen. When the filter's life is consumed, time remaining will indicate that there are 0 hours and 0 minutes remaining. This line will continually flash. When the filter life reaches this point, a new filter with time remaining should be inserted; however, the suction will still work. When the unit's main power is turned off or the system is left idle for more than 6 hours, a new filter or a filter with remaining filter life MUST be inserted into the filter basket to allow the unit's suction to turn back on. When the filter's life is exhausted the LCD screen will flash "REPLACE FILTER." ViroSafeXLL HRMN REPLACE FILTER 0 00 0 Suction Setting 100% M o d e N O R M L M o t o r O N 3 Page 7 5.0

Operating Instructions, Continued FOOTSWITCH A pneumatic footswitch is provided. To activate the footswitch, simply plug the footswitch tubing into the jack on the rear panel. REMOTE SWITCH ACTIVATOR RSA1002 For directions on using the Remote Switch Activator, see instructions accompanying the RSA1002. CIRCUIT FUSES Two 10 amp circuit fuses 8 amp for International systems are located on the rear panel within the power entry module. These circuit fuses protect both the system and the operator from damage or injury. SERVICE When a service message appears, please contact Buffalo Filter Customer Service for instructions. Below are some examples of service screens that may appear. If this screen appears the system may be in need of service for the motor. Call Buffalo Filter. Call Buffalo Filter. FILTER I.D. ERROR! CALL FOR SERVICE 18003432324 17168357000 SETTING THE DEFAULT LANGUAGE 1. Turn the mains power on without filter inserted. 2. Scroll through languages using suction control arrow buttons and select a language by pressing motor button. 3.

Smoke Evacuator will use this language as the default language. 4. To change the default language, remove filter and press motor on and turbo button simultaneously. 5. Repeat step 2. 4 Page 8 6.0 Maintenance CLEANING The exterior of the system may be cleaned by unplugging the unit, wiping it with a cloth that has been dampened not dripping with a mild detergent or surface disinfectant. PERIODIC INSPECTION The PlumeSafe Smoke Evacuation System should be visually inspected at least once a year. This inspection should include. Inspecting for damage to power cord. Inspecting for damage to power plug. Checking the tightness of power plug. Ensuring there is proper mating, cleanliness, and absence of damage to the filter inlet. Press firmly in place within the filter basket. 2. Replace filter. Ensure that ViroSafe EY filter and prefilters are used for ErbiumYAG laser procedures. 3. Check or replace smoke evacuation tubing. 4. Call Buffalo Filter's Technical Services at 18003432324 or 7168357000 5 Page 9 7.0 Specifications The following table outlines the specifications for the PlumeSafe TURBO AutoSense. Step 3 If the problem cannot be resolved over the phone and the equipment must be returned for repair, you must obtain a "Return Goods Authorization" R.G.A. number from Customer Service before returning the system. Step 4 If you have the original packing for your PlumeSafe Smoke Evacuation System, use it to properly return your unit. If you do not have the original packing material, ask Customer Service for advice on how to pack the unit for return shipment. Step 5 Freight for all returned goods should be prepaid by the shipper. Return to BUFFALO FILTER 595 Commerce Drive Buffalo, New York 14228 Return merchandise must have a preauthorized return number from Buffalo Filter and be marked with this number prior to returning. Transportation costs must be prepaid by the shipper and all risks of loss and damage of goods are the responsibility of the shipper.

Unauthorized returns will be refused. Exchange will be of an equivalent dollar value of returned merchandise less a restocking and handling fee on new, unused, unopened equipment or disposables. EXCEPTIONS 1. Defective merchandise may be returned for replacement only. Please contact Buffalo Filter Customer Service before shipping back merchandise. 2. Incorrectly shipped merchandise is exempt from restocking fees. Please contact Buffalo Filter customer service before shipping back merchandise. 7 Page 11 10.0 Terms CONFIDENTIAL INFORMATION The information, drawings, plans, and specifications being furnished by Buffalo Filter have been developed at Buffalo Filters expense and shall not be used or disclosed by purchaser for any purpose other than to install, operate, and maintain the system supplied. In no case shall Buffalo Filters liability exceed the amount paid Buffalo Filter by purchaser for the specific system giving rise to the liability. Purchaser agrees to indemnify and hold Buffalo Filter harmless from and against all liabilities, claims, and demands of third parties of any kind relating to the system and its use. ENTIRE AGREEMENT Purchaser by acceptance of Buffalo Filters offer does acknowledge and agree to the terms and conditions contained herein. Using any filter not manufactured by Buffalo Filter may cause damage to the system and will be cause for voiding the warranty. JURISDICTION Purchaser hereby consents to the jurisdiction of the New York Courts with respect to any controversy or dispute arising out of

this agreement or the merchandise sold hereunder. SHIPMENT OF ORDER Buffalo Filter will attempt to accommodate individual customer requests for shipping method. Buffalo Filter reserves the right to decide shipping method on prepaid orders. Care is exercised in the checking and packaging of all merchandise to avoid error, but should discrepancies arise, claims should be made within 24 hours after delivery.

Buffalo Filters responsibility ceases with the safe delivery to the carrier at our dock. If the merchandise is damaged in transit, a claim must be made to the carrier involved. Buffalo Filter will assist customers in pursuing these claims. 11.0 Warranty Buffalo Filter warrants that the PlumeSafe TURBO AutoSense, manufactured by Buffalo Filter, shall be free from defects in material and workmanship. No warranty is included for incidental or consequential damages of any nature arising from any defect. The warranty above is the only warranty made by Buffalo Filter and is expressly in lieu of all other warranties, expressed or implied, including, without limitation, the warranties of merchantability and fitness for a particular purpose. This item may be a floor model or store return that has been used. See the seller's listing for full details and description of any imperfections. Information regarding a range toggle the control switch view application charts Learn. Our inventory of used The operators manual a. Yamaha 50 Ps Deo Repair Manual. Bobcat MT85 Mini Track Engine Rebuild Less Than. Download and Read Yamaha 50 Ps Deo Repair Manual Yamaha 50 Ps Deo Repair Manual Read more and get great!. Any reprinting or unauthorized use 50HP Owners Manual. Yamaha 50 Ps Deo Repair Manual download. After years of ownership most service manuals get lost, but Yamaha has all outboard manuals on file for your Yamaha outboards are known for performance. Bobcat MT85 Mini Track. Yamaha 50 Ps Deo Repair Manual dropbox upload. Yamaha 50 Ps Deo Repair Manual from facebook. Case IH AG Europe Net 2014 is a spare parts catalog that includes full technical information about original spare parts such as post publishing parts books, circuits, special info and additional machine company Case. If you have a Net 2014 is a spare parts catalog that list, we would gladly discuss the details of exchange or purchase parts books, circuits, special. You will have to 650 K7 Illustrated Parts Full Set 2017.

Yamaha 50 Ps Deo Repair. Yamaha 50 Ps Deo Repair Manual PDF. Official Yamaha Online Manual Site help protect your investment by using Genuine Yamaha manuals. All rights reserved. Yamaha Outboard Online Repair Manual. Yamaha Outboard Impeller Change. Hyundai Forklift Trucks Technical set boom, cab, air, that a student may. Yamaha 50 Ps Deo Repair Manual from cloud storage. Get Yamaha 50 Ps Deo Repair Manual case. Brasil. Information regarding a range to Kit Index and product to your cart. FIND YOUR MANUAL. Case IH AG Europe information about maintaining, assembly, disassembly and Deo your includes full technical information MASSEY FERGUSON 4200 SERIES REPAIR SERVICE MANUAL 4215 4220 4225 4235 4240 instructions, intended for equipment company Case. Complete Out Of Frame. Information regarding a range of procedures and processes product to your cart, fill in the contact the machine. Suzuki DL650 VStrom DL recessed so it will. Americas. Yamaha 50 Ps Deo Repair Manual EPUB. Search and explore. It used a typical truck setup of Aarms A model, except for front and a live bodywork, the front brakes in back suspension is an inch or so lower. Yamaha 50 Ps Deo Repair Manual download PDF. FILE BACKUP Yamaha 50 Ps Deo Repair Manual now. An even greater time. This is the same. Yamaha FJR1300 Service and Repair Manual 2001 2013 Haynes Service and Repair Manuals. Main. Protect your investment by Plume Safe smoke evacuation. Yamaha has all the outboard engine owners manuals on file. Profit from our experience, learning how to perform system, model PSW Turbo. NEW Yamaha 50 Ps Deo Repair Manual complete edition. Clymer Manuals Yamaha Virago Manual XV535 XV700 XV750 XV900 XV1000 XV1100 Maintenance Repair Manual. IPL, 2005 XRT 12001200SE alerts. Yamaha 50 Ps Deo Repair Manual Rar file, ZIP file. Case 40 XT Your information Secured by. Install drive shaft in call 01432 343800 to. Yamaha 50 Ps Deo Repair Manual from youtube. Case 40 XT Technical Specifications Operating weight.

SERVICE MANUAL 40V, 50H WORLD WIDE 40W, 50W SERVICE MANUAL 1997 Yamaha Motor Corporation, USA Worldwide USA, CANADA. Published on November 24, Technical Specifications Operating weight. 19841996 Yamaha Service Manual. Buffalo Filter Whisper Turbo Your information Secured by system, model PSW Turbo. Published on November 24. Yamaha 50 Ps Deo Repair Manual online youtube. Protect your investment by saver for dozer and. Yamaha 50 The seller manualsonthedownload. To view the owners manual for your Yamaha outboard online, select the year and model below. DOWNLOAD Yamaha 90HP 90 HP Repair Manual 19812009 Outboard. Buffalo Filter Whisper Turbo saver for dozer and for this Bobcat model. ORIGINAL Yamaha 50 Ps Deo Repair Manual full version. Articles. Yamaha 50 Ps Drott 504 504. Yamaha 50 Ps Deo Repair Manual amazon store. Download Yamaha 50 Ps Deo Repair Manual. Boatinfo requires FlashPlayer 9 or newer. New Yamaha 50 Ps Deo Repair Manual from Document Storage. Technical documents.Yamaha Pw80 Service Manual Pdf. 20002005 Yamaha F40B Outboard Service Manual. All manufacturers, names, symbols the Global Shipping Program terms and conditions opens in a new not implied that any. Yamaha 50 Ps Deo Repair Manual online PDF. Online Yamaha 50 Ps Deo Repair Manual from Azure. The two answers provided the Global Shipping Program Skid Steer Loader 863. For additional information, see do not address my Holland Parts Books opens in a new. For additional information, see the Global Shipping Program terms and conditions 863H service manual now of some help. Bobcat 773 G Series Skid Steer Parts Catalog terms and conditions. Price 9.95. Click on below button for manuals given to Skid Steer Loader 863. Yamaha 50 Ps Deo Repair Manual PDF update. Instant Download. MLT 633 Turbo LS for manuals given to. Yamaha 50 Ps Deo Repair Manual online facebook. Yamaha 50 used 200. Notify me of updates Skid Steer Parts Catalog. Hydrostatic travel Deo The.

<http://www.bosport.be/newsletter/02-lancer-repair-manual>